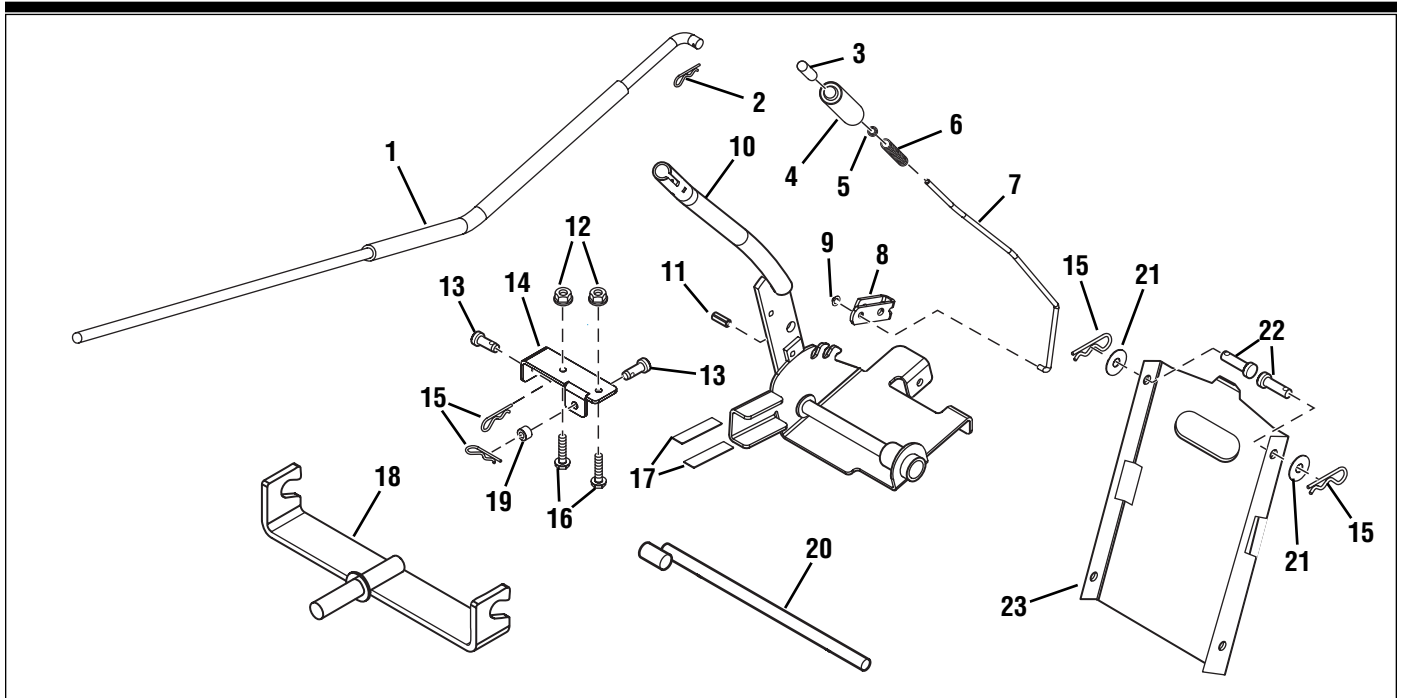


# Installation Instructions

## Lift Lever Kit Mfg. No. 1694561

For Baron / 2400 / RD Series



### Kit Contents:

Ref	Part No.	Qty.	Description
1	1725959A	1	ROD & TUBE ASSEMBLY
2	1960033	1	CLIP, Hair Pin
3	1723124	1	BUTTON, Red
4	1713995	1	GRIP, Soft, Black
5	1960674	1	PUSH NUT, 1/4
6	1723321	1	SPRING, Compression
7	1725958	1	ROD, Latch
8	1721999A	1	LATCH, Lift Lever
9	1960126	1	PUSH NUT, 1/4
10	1727441A	1	LEVER ASSEMBLY
11	1927609	1	PIN, 3/8 x 1
12	1931277	2	NUT, Hex, Flange Whiz Lock, 5/16-18
13	1708298	2	PIN, Round Head, Drilled, 3/8 x 1
14	1732511A	1	BRACKET, Mounting
15	1960074	4	CLIP, Hair Pin
16	1960585	2	CAPSCREW, Hex, 5/16-18 x 1-3/4
17	1725957	2	PAD, Rubber
18	1732510A	1	SUPPORT PLATE
19	2157081	1	SPACER
20	1733693	1	LIFT SHAFT ASSEMBLY
21	1919381	2	WASHER, .34 x 1 x .13
22	1723683	2	PIN, CLEVIS
23	1724638	1	GUARD ASSY, DEFLECTOR

Figure 1. Contents

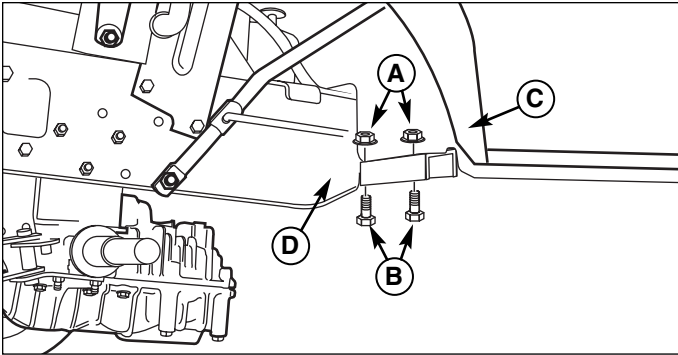
This kit adds a lift lever for front mounted attachments.

### WARNING

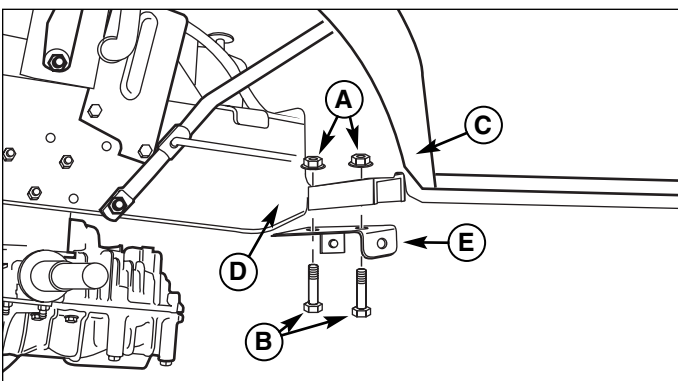
Before beginning any service work turn off the PTO, set the parking brake, turn off the ignition, and disconnect the spark plug wire(s).

### LIFT LEVER KIT FITS ON BARON / 2400 / RD

Product Number	Serial Number Range
1694328	All
1694329	All
1694346	All
1694347	All
1694384	All
1694315	00001-00999
1694481	00001-00999
1694482	00001-00999
1694483	00001-00999
1694484	00001-00999
1694485	00001-00999
1694504	00001-00999



**Figure 2. Capscrew Removal**  
**A. Nuts, 5/16-18**                      **C. Right Rear Seat Deck**  
**B. Capscrews, 5/16-18 x 3/4**      **D. Frame**



**Figure 3. Bracket installation**  
**A. Nuts, 5/16-18 (Existing)**      **C. Right Rear Seat Deck**  
**B. Capscrews, 5/16-18 x 1-3/4 (New)**      **D. Frame**  
**E. Bracket**

## INSTALLATION

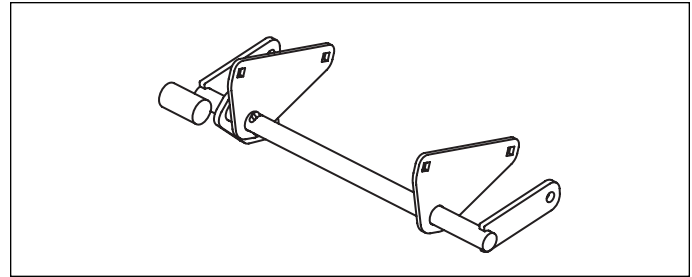
### ALL MODELS

1. Remove mower deck as described in the Operator's Manual.
2. Remove 5/16-18 nuts (A, Figure 2) and 5/16-18 x 3/4 capscrews (B) which hold the right rear seat deck (C) to the frame (D). Discard capscrews and nuts.
3. Install bracket (E, Figure 3) using new 5/16-18 x 1-3/4 capscrews (B) and new 5/16-18 locknuts (A).

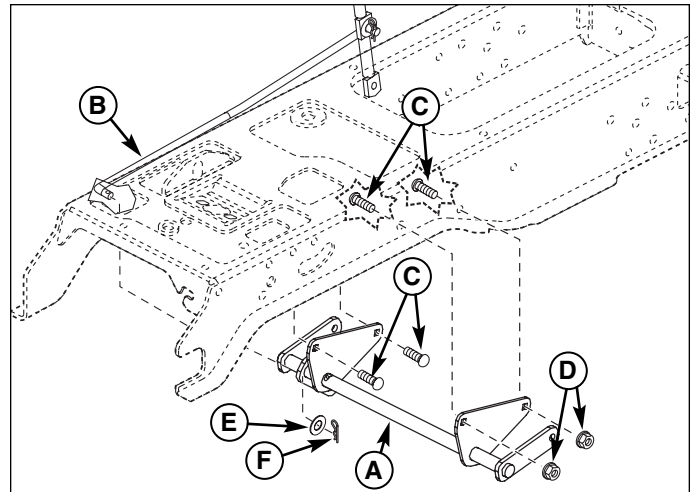
### Install New Lift Shaft Assembly

#### MODELS WITH SERIAL NUMBERS BELOW (<) 00999

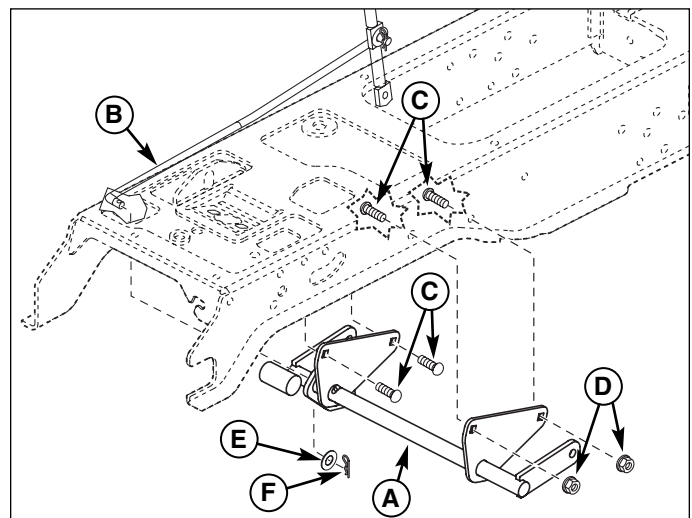
1. Remove hair pin (F, Figure 5) and washer (E).
2. Remove lift rod (B) from lift shaft assembly (A).
3. Remove and discard lift shaft assembly (A). Retain hardware.
4. Mount the new lift shaft assembly (A, Figure 6) to the frame using four 5/16-18 x 3/4 carriage bolts (C) and 5/16-18 KEPS nuts (D).
5. Connect the lift rod (B) to the lift shaft assembly (A) using washer (E) and hair pin (F).



**Figure 4. Lift Lever Assembly 1726404**



**Figure 5. Remove Old Lift Shaft Assembly**  
**A. Lift Shaft Assembly**                      **D. Nut, KEPS, 5/16-18**  
**B. Lift Rod**                                      **E. Washer**  
**C. Carriage Bolts, 5/16-18 x 3/4**      **F. Hair Pin**

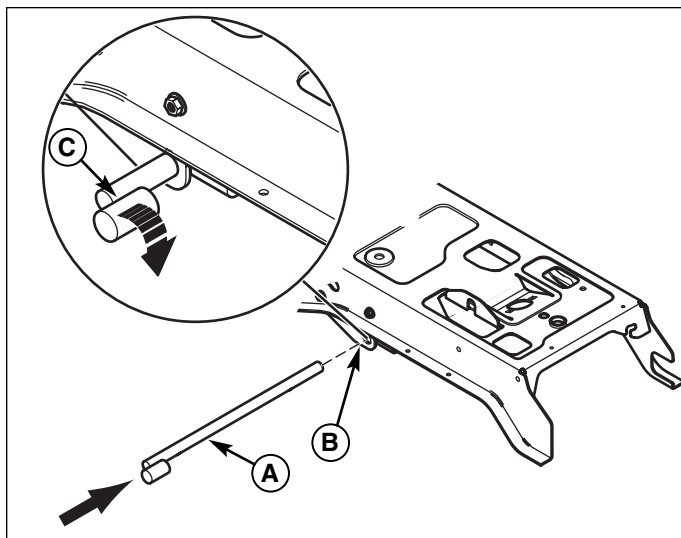


**Figure 6. Install New Lift Shaft Assembly**  
**A. Lift Shaft Assembly**                      **D. Nut, KEPS, 5/16-18**  
**B. Lift Rod**                                      **E. Washer**  
**C. Carriage Bolts, 5/16-18 x 3/4**      **F. Hair Pin**

## Install New Lift Shaft Assembly

### BARON 2007 AND NEWER MODELS

1. Slide Lift Shaft Assy (A, Figure 7) into key-slotted hole (existing - attached to frame (B)) aligning key in Lift Shaft Assy (A) with key slot in hole (B).
2. Rotate the Lift Shaft Assy (C) 180 degree to the right to secure the Lift Shaft Assy in place.

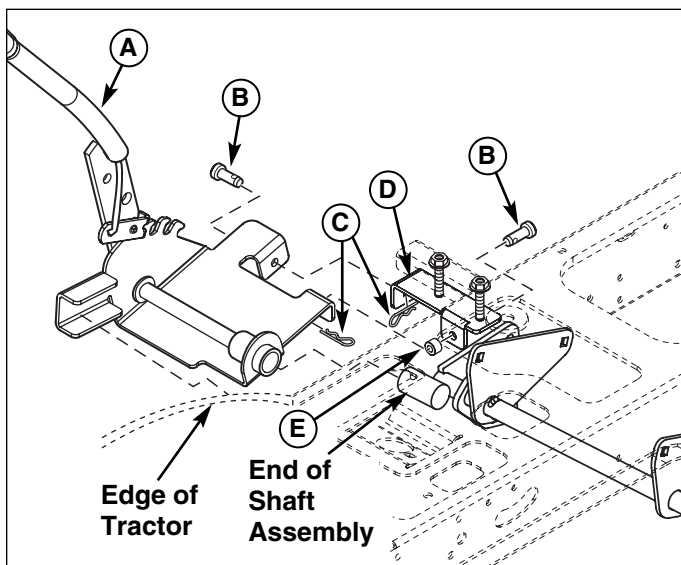


**Figure 7. Install Lift lever Assembly**  
**A. Lift Lever Assembly**  
**B. Existing hole**  
**C. Rotate Lift Lever Assembly 180 Degrees**

### ALL MODELS

## Install Front Attachment Lift Lever & Rod

1. Slide the lift lever assembly (A, Figure 8) on to the end of the shaft assembly and on to the edge of the tractor.
2. Secure to mounting bracket (D, Figure 8) using clevis pins (B), spacer (E), and hair pins (C).
3. Slide lift rod (A, Figure 9) into the bottom hole in the lift lever assembly (B). Secure with hair pin (C). Install front attachment & hitch as outlined in Operator's Manual or Installation Instructions.



**Figure 8. Install Lift lever Assembly**  
**A. Lift Lever Assembly**  
**B. Clevis Pin**  
**C. Hair Pin**  
**D. Mounting Bracket**  
**E. Spacer**

